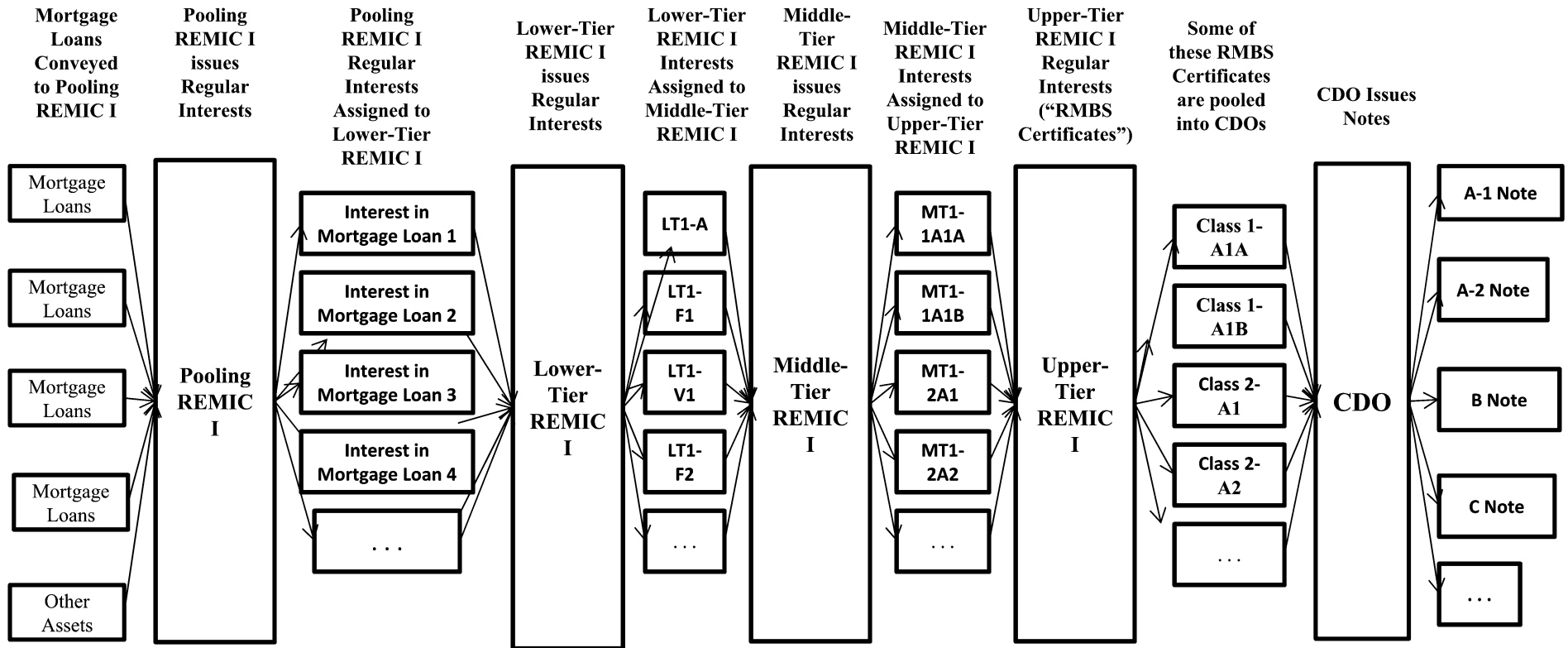


EXHIBIT A

ILLUSTRATION WHY RMBS CERTIFICATES AND CDO NOTES ARE NO DIFFERENT
(Example LXS 2006-2)



That group of assets contained in the Trust Fund designated as a REMIC consist of:

- (i) the Mortgage Loans,
- (ii) the Distribution Account,
- (iii) any REO Property relating to the Mortgage Loans,
- (iv) the rights with respect to the related Servicing Agreement,
- (v) the rights with respect to the Assignment Agreement and
- (vi) any proceeds of the foregoing.*

* e.g., payments comprising principal, interest and/or subsequent recoveries such as the Settlement Amount